

NORMAL

MWO effective date is 1 October 1988 and completion date is 30 November 1992.

MWO 9-2320-200-35-1

MODIFICATION WORK ORDER

MODIFICATION OF 2 1/2-TON AND 5-TON VEHICLES 2 1/2-TON, M44A1 AND M44A2 SERIES TRUCKS 5-TON, M39 AND M809 SERIES TRUCKS

2 1/2-TON M44 SERIES

NOMENCLATURE	NSN	NOMENCLATURE	NSN
Truck, Cargo	2320-00-835-8463	Truck, Tank	2320-00-077-1632
Truck, Cargo	2320-00-835-8464	Truck, Tank	2320-00-835-8344
Truck, Cargo	2320-00-542-5633	Truck, Tank	2320-00-172-1601
Truck, Cargo	2320-00-542-5634	Truck, Tank	2320-00-440-8307
Truck, Cargo	2320-00-077-1616	Truck, Tank	2320-00-440-8305
Truck, Cargo	2320-00-077-1617	Truck, Tank	2320-00-077-1633
Truck, Cargo	2320-00-926-0873	Truck, Tank	2320-00-077-1634
Truck, Cargo	2320-00-926-0875	Truck, Tank	2320-00-937-4036
Truck, Cargo	2320-00-647-0505	Truck, Tank	2320-00-937-5264
Truck, Cargo	2320-00-200-1368	Truck, Van	2320-00-690-8365
Truck, Cargo	2320-00-200-1369	Truck, Van	2320-00-706-2224
Truck, Cargo	2320-00-077-1618	Truck, Van	2320-00-440-8313

Headquarters, Department of the Army, Washington, D.C.

7 October 1988

REPORTING OF ERRORS AND RECOMMENDING IMPROVEMENTS

You can help improve this MWO. If you find any mistakes or if you know of a way to improve these procedures, please let us know. Write a letter or complete and mail a DA Form 2028, Recommended Changes to Publications and Blank Forms, to: U.S. Army Tank-Automotive Command, ATTN:AMSTA-MB, Warren, MI 48397-5000. A reply will be provided to you.

DISTRIBUTION RESTRICTION

Distribution authorized to U.S. Government agencies and their contractors. This publication is required for administration and operational purposes, as determined 7 Sep 88. Other requests for this document shall be referred to TACOM, ATTN: AMSTA-MB, Warren, MI 48397-5000.

DESTRUCTION NOTICE

Destroy by any method that will prevent disclosure of contents or reconstruction of the document.

2 1/2-TON M44 SERIES (Contd)

NOMENCLATURE	NSN	NOMENCLATURE	NSN
Truck, Cargo	2320-00-077-1619	Truck, Van	2320-00-440-8308
Truck, Tractor	2320-00-835-8609	Truck, Van	2320-00-077-1636
Truck, Tractor	2320-00-835-8611	Truck, Van	2320-00-077-1637
Truck, Tractor	2320-00-446-2479	Instrument Repair Shop, Truck Mounted	4940-00-987-8799
Truck, Tractor	2320-00-077-1640	Truck, Van	4940-00-987-8800
Truck, Tractor	2320-00-077-1641	Instrument Repair Shop, Truck Mounted	4940-00-077-1638
Truck, Tank	2320-00-141-8235	Truck Mounted	4940-00-077-1639
Truck, Tank	2320-00-141-8237	Truck, Van	2320-00-542-4444
Truck, Tank	2320-00-440-3349	Chassis, Truck	2320-00-077-1621
Truck, Tank	2320-00-440-3346	Chassis, Truck	2320-00-077-1620
Truck, Tank	2320-00-077-1631	Chassis, Truck	2320-00-736-8524
Truck, Van	2320-00-699-3593	Chassis, Truck	2320-00-835-8196
Truck, Van	2320-00-440-8318	Chassis, Truck	2320-00-077-1622
Truck, Van	2320-00-077-1642	Chassis, Truck	2320-00-077-1623
Truck, Dump	2320-00-077-1643	Chassis, Truck	2320-00-736-8527
Truck, Dump	2320-00-077-1644	Chassis, Truck	2320-00-835-8198
Truck, Maintenance	2320-00-937-5979	Chassis, Truck	2320-00-077-1628
Truck, Maintenance	2320-00-937-5980	Chassis, Truck	2320-00-077-1629
Truck, Maintenance	2320-00-904-3277		
Chassis, Truck	2320-00-736-8578		
Chassis, Truck	2320-00-973-4145		
Chassis, Truck	2320-00-973-2229		

5-TON M39 SERIES

NOMENCLATURE	NSN	NOMENCLATURE	NSN
Truck, Dump	2320-00-835-8337	Truck, Cargo	2320-00-200-1878
Truck, Dump	2320-00-835-8336	Truck, Cargo	2320-00-880-4634
Truck, Dump	2320-00-045-7132	Truck, Cargo	2320-00-880-4635
Truck, Dump	2320-00-045-7131	Truck, Cargo	2320-00-073-8476
Truck, Cargo	2320-00-055-9263	Truck, Cargo	2320-00-055-9259
Truck, Cargo	2320-00-055-9262	Truck, Tractor, Wrecker	2320-00-073-8251
Truck, Tractor	2320-00-835-8329	Truck, Van	2320-00-880-4642
Truck, Tractor	2320-00-835-8326	Truck, Van	2320-00-880-4646
Truck, Tractor	2320-00-086-7480	Truck, Van	2320-00-880-4647
Truck, Tractor	2320-00-086-7479	Truck, Van	2320-00-907-0706
Truck, Tractor	2320-00-055-9261	Truck, Van	2320-00-907-0707
Truck, Tractor	2320-00-055-9260	Truck, Van	2320-00-907-0708
Truck, Cargo	2320-00-835-8335	Truck, Wrecker	2320-00-445-0866
Truck, Cargo	2320-00-086-7482	Truck, Wrecker	2320-00-880-4618
Truck, Cargo	2320-00086-7481	Truck, Wrecker	2320-00-055-9258
Truck, Cargo	2320-00-880-4614	Chassis, Truck	2320-00-835-8332
Truck, Cargo	2320-00-880-4612	Chassis, Truck	2320-00-285-3757
Truck, Cargo	2320-00-055-9266	Chassis, Truck	2320-00-835-8347
Truck, Cargo	2320-00-055-9265	Chassis, Truck	2320-00-746-6001
Truck, Cargo	2320-00-761-2854	Truck, Stake	2320-00-880-4652
Truck, Cargo	2320-00-926-0874	Truck, Bolster	2320-00-880-4615
Truck, Cargo	2320-00-391-0570	Truck, Bolster	2320-00-930-0023

5-TON M809 SERIES

NOMENCLATURE	NSN	NOMENCLATURE	NSN
Truck, Cargo	2320-00-050-8902	Truck, Van	2320-00-050-9007
Truck, Cargo	2320-00-050-8890	Truck, Van	2320-00-050-9010
Truck, Cargo	2320-00-050-8913	Truck, Stake	2320-00-050-9015
Truck, Cargo	2320-00-050-8905	Chassis, Truck	2320-00-050-8842
Truck, Cargo	2320-00-050-8988	Chassis, Truck	2320-00-050-8841
Truck, Cargo	2320-00-050-8987	Chassis, Truck	2320-00-050-8941
Truck, Bolster	2320-00-050-8927	Chassis, Truck	2320-00-051-0586
Truck, Wrecker	2320-00-051-0489	Chassis, Truck	2320-00-051-0585
Truck, Dump	2320-00-050-8970	Chassis, Truck	2320-00-050-8986
Truck, Dump	2320-00-051-0589	Chassis, Truck	2320-00-050-8985
Truck, Tractor	2320-00-050-8984	Chassis, Truck	2320-00-050-8989
Truck, Tractor	2320-00050-8978	Chassis, Truck	2320-00-050-9005
Truck, Tractor, Wrecker	2320-00-050-9004	Chassis, Truck	2320-00-050-9011
Truck, Van	2320-00-050-9006	Chassis, Truck	2220-00-050-9040

1. PURPOSE.

The purpose of this modification is to provide occupant restraint system (Seat Belts) to minimize occupant injuries during vehicle accidents.

2. PRIORITY.

a. This modification is classified as NORMAL.

b. Equipment in use (includes equipment in supply or maintenance activities below depot level and equipment in administrative storage). Equipment in use will be modified as soon as practical, but not later than the scheduled completion date. Equipment not modified after expiration date of the MWO will be administratively deadlined and not used until modification is complete In Accordance With (IAW) AR 385-55 and DA PAM 738-750.

c. Equipment in wholesale supply, depot supply, or maintenance activities. All MWOs including those in Depot Maintenance Work Requirements (DMWRs) will be accomplished on serviceable materiel prior to issue and/or subsequent scheduled completion date. Project stock stored at depots will be modified concurrently with depot stock. Issue of unmodified materiel is prohibited. The MWO will be applied to unserviceable materiel during scheduled depot maintenance.

d. Prepositioned stock. Equipment which is prepositioned will be modified during cyclic maintenance and will be consistent with TM 38-450.

3. END ITEM TO BE MODIFIED.

a. 2 1/2-Ton M44 Series

NOMENCLATURE	NSN	PART NO.	FSCM	MODEL NO.	SERIAL NO.
Truck, Cargo	2320-00-835-8463	8358463	19207	M35	All
Truck, Cargo	2320-00-835-8464	835846	19207	M35	All
Truck, Cargo	2320-00-542-5633	8736236	19207	M35A1	All
Truck, Cargo	2320-00-542-5634	8736237	19207	M35A1	All
Truck, Cargo	2320-00-077-1616	8736581	19207	M35A2	All
Truck, Cargo	2320-00-077-1617	8736582	19207	M35A2	All
Truck, Cargo	2320-00-926-0873	8736733	19207	M35A2C	All
Truck, Cargo	2320-00-926-0875	8736735	19207	M35A2C	All
Truck, Cargo		8750401	19207	M36	All
Truck, Cargo	2320-00-647-0505	8750400	19207	M36	All
Truck, Cargo	2320-00-200-1368	8358900	19207	M36C	All
Truck, Cargo	2320-00-200-1369	8358901	19207	M36C	All
Truck, Cargo		8736349	19207	M36A1	All
Truck, Cargo		8736348	19207	M36A1	All
Truck, Cargo	2320-00-077-1618	8736592	19207	M36A2	All
Truck, Cargo	2320-00-077-1619	8736593	19207	M36A2	All
Truck, Tank	2320-00-141-8235	8736000	19207	M49C	All
Truck, Tank	2320-00-141-8237	8736001	19207	M49C	All
Truck, Tank	2320-00-440-3349	8736353	19207	M49A1C	All
Truck, Tank	2320-00-440-3346	8736352	19207	M49A1C	All
Truck, Tank	2320-00-007-1631	8736566	19207	M49A2C	All
Truck, Tank	2320-00-077-1632	8736567	19207	M49A2C	All

a. 2 1/2-Ton M44 Series (Contd)

NOMENCLATURE	NSN	PART NO.	FSCM	MODEL NO.	SERIAL NO.
Truck, Tank	2320-00-835-8344	8358344	19207	M50	All
Truck, Tank	2320-00-172-1601	8358792	19207	M50	All
Truck, Tank	2320-00-440-8307	8736355	19207	M50A1	All
Truck, Tank	2320-00-440-8305	8736354	19207	M50A1	All
Truck, Tank	2320-00-077-1633	8736596	19207	M50A2	All
Truck, Tank	2320-00-077-1634	8736568	19207	M50A2	All
Truck, Tank	2320-00-937-4036	8736775	19207	M50A3	All
Truck, Tank	2320-00-937-5264	8736780	19207	M50A3	All
Truck, Van	2320-00-690-8365	8736274	19207	M109A1	All
Truck, Van	2320-00-706-2224	8736281	19207	M109A1	All
Truck, Van	2320-00-440-8313	8736357	19207	M109A2	All
Truck, Van	2320-00-440-8308	8736356	19207	M109A2	All
Truck, Van	2320-00-077-1636	8736569	19207	M109A3	All
Truck, Van	2320-00-077-1637	8736570	19207	M109A3	All
Instrument Repair Shop, Truck Mounted	4940-00-987-8799	8736467	19207	M185A2	All
Instrument Repair Shop, Truck Mounted	4940-00-077-1638	8736600	19207	M185A3	All
Instrument Repair Shop, Truck Mounted	4940-00-077-1639	8736588	19207	M185A3	All
Truck, Tractor	2320-00-835-8609	8358609	19207	M275	All
Truck, Tractor	2320-00-835-8611	8358611	19207	M275	All
Truck, Tractor	2320-00-446-2479	8736359	19207	M275A1	All
Truck, Tractor		8736358	19207	M275A1	All
Truck, Tractor	2320-00-077-1640	8736571	19207	M275A2	All
Truck, Tractor	2320-00-077-1641	8736597	19207	M275A2	All
Truck, Van		8736064	19207	M292	All
Truck, Van	2320-00-542-4444	8736157	19207	M292	All
Truck, Van	2320-00-440-8318	8736361	19207	M292A1	All
Truck, Van		8736360	19207	M292A1	All
Truck, Van	2320-00-077-1642	8736572	19207	M292A2	All
Truck, Van		8736652	19207	M292A2	All
Truck, Van	2320-00-699-3593	8736654	19207	M292A4	All
Truck, Dump		8736257	19207	M342	All
Truck, Dump	2320-00-077-1643	8736598	19207	M342A2	All
Truck, Dump	2320-00-077-1644	8736589	19207	M342A2	All
Truck, Maintenance	2320-00-904-3277	8736769	19207	M756A2	All
Truck, Maintenance	2320-00-937-5979	8736781	19207	M763	All
Truck, Maintenance	2320-00-937-5980	8736782	19207	M764	All
Chassis, Truck	2320-00-736-8578	7368578	19207	M44	All
Chassis, Truck	2320-00-835-8199	8358199	19207	M44	All
Chassis, Truck	2320-00-973-4145	8736470	19207	M44A1	All
Chassis, Truck	2320-00-973-2229	8736440	19207	M44A1	All
Chassis, Truck	2320-00-077-1621	8736594	19207	M44A2	All
Chassis, Truck	2320-00-077-1620	8736576	19207	M44A2	All
Chassis, Truck	2320-00-736-8524	7368524	19207	M45	All
Chassis, Truck	2320-00-835-8196	8358196	19207	M45	All
Chassis, Truck		8736351	19207	M45A1	All

a. 2 1/2-Ton M44 Series (Contd)

NOMENCLATURE	NSN	PART NO.	FSCM	MODEL NO.	SERIAL NO.
Chassis, Truck		8736350	19207	M45A1	All
Chassis, Truck	2320-00-077-1622	8736574	19207	M45A2	All
Chassis, Truck	2320-00-077-1623	8736575	19207	M45A2	All
Chassis, Truck	2320-00-219-7330	8358822	19207	M45C	All
Chassis, Truck	2320-00-987-8972	8736502	19207	M45A2C	All
Chassis, Truck		8736604	19207	M45A2G	All
Chassis, Truck	2320-00-736-8527	7368527	19207	M46	All
Chassis, Truck	2320-00-835-8198	8358198	19207	M46	All
Chassis, Truck		8736365	19207	M46A1	All
Chassis, Truck		8736364	19207	M46A1	All
Chassis, Truck		8736363	19207	M46A1C	All
Chassis, Truck		8736362	19207	M46A1C	All
Chassis, Truck	2320-00-077-1628	8736595	19207	M46A2	All
Chassis, Truck	2320-00-077-1629	8736573	19207	M46A2C	All

b. 5-Ton M39 Series

NOMENCLATURE	NSN	PART NO.	FSCM	MODEL NO.	SERIAL NO.
Truck, Dump	2320-00-835-8337	8358337	19207	M51	All
Truck, Dump	2320-00-835-8336	8358336	19207	M51	All
Truck, Dump	2320-00-045-7132	8736448	19207	M51A1	All
Truck, Dump	2320-00-045-7131	8736449	19207	M51A1	All
Truck, Cargo	2320-00-055-9263	8736516	19207	M51A2	All
Truck, Cargo	2320-00-055-9262	8736517	19207	M51A2	All
Truck, Tractor	2320-00-835-8329	8358329	19207	M52	All
Truck, Tractor	2320-00-835-8326	8358326	19207	M52	All
Truck, Tractor	2320-00-086-7480	8736433	19207	M52A1	All
Truck, Tractor	2320-00-086-7479	8736432	19207	M52A1	All
Truck, Tractor	2320-00-055-9261	8736518	19207	M52A2	All
Truck, Tractor	2320-00-055-9260	8736519	19207	M52A2	All
Truck, Cargo	2320-00-835-8335	8358335	19207	M54	All
Truck, Cargo	2320-00-835-8348	8358348	19207	M54	All
Truck, Cargo	2320-00-086-7482	8736435	19207	M54A1	All
Truck, Cargo	2320-00-086-7481	8736434	19207	M54A1	All
Truck, Cargo	2320-00-880-4614	8736840	19207	M54A1C	All
Truck, Cargo	2320-00-880-4612	8736841	19207	M54A1C	All
Truck, Cargo	2320-00-055-9266	8736521	19207	M54A2	All
Truck, Cargo	2320-00-055-9265	8736520	19207	M54A2	All
Truck, Cargo	2320-00-761-2854	8736732	19207	M54A2C	All
Truck, Cargo	2320-00-926-0874	8736734	19207	M54A2C	All
Truck, Cargo	2320-00-391-0570	8358724	19207	M55	All
Truck, Cargo	2320-00-200-1878	8358973	19207	M55	All
Truck, Cargo	2320-00-880-4634	8736450	19207	M55A1	All
Truck, Cargo	2320-00-880-4635	8736451	19207	M55A1	All
Truck, Cargo	2320-00-073-8476	8736523	19207	M55A2	All

b. 5-Ton M39 Series (Contd)

NOMENCLATURE	NSN	PART NO.	FSCM	MODEL NO.	SERIAL NO.
Truck, Cargo	2320-00-055-9259	8736522	19207	M55A2	All
Truck, Wrecker		8358629	19207	M246	All
Truck Tractor, Wrecker	2320-00-073-8251	8736536	19207	M246A2	All
Truck, Van	2320-00-880-4642	8736842	19207	M291A1	All
Truck, Van	2320-00-880-4646	8736843	19207	M291A1C	All
Truck, Van	2320-00-880-4647	8736844	19207	M291A1D	All
Truck, Van	2320-00-907-0706	8736692	19207	M291A2	All
Truck, Van	2320-00-907-0707	8736693	19207	M291A2C	All
Truck, Van	2320-00-907-0708	8736694	19207	M291A2D	All
Truck, Wrecker	2320-00-445-0866	8736373	19207	M543	All
Truck, Wrecker	2320-00-880-4618	8736465	19207	M543A1	All
Truck, Wrecker	2320-00-055-9258	8736537	19207	M543A2	All
Chassis, Truck		8358349	19207	M40	All
Chassis, Truck		8358350	19207	M40	All
Chassis, Truck	2320-00-219-7332	8358823	19207	M40C	All
Chassis, Truck		8736443	19207	M40A1	All
Chassis, Truck		8736444	19207	M40A1	All
Chassis, Truck		8736445	19207	M40A1C	All
Chassis, Truck		8736511	19207	M40A2	All
Chassis, Truck		8736512	19207	M40A2	All
Chassis, Truck		8736513	19207	M40A2C	All
Chassis, Truck	2320-00-835-8332	8358332	19207	M61	All
Chassis, Truck		8358333	19207	M61	All
Chassis, Truck		8736452	19207	M61A1	All
Chassis, Truck		8736453	19207	M61A1	All
Chassis, Truck		8736524	19207	M61A2	All
Chassis, Truck		8358330	19207	M63	All
Chassis, Truck		8358331	19207	M63	All
Chassis, Truck		8358814	19207	M63C	All
Chassis, Truck		8736455	19207	M63A1	All
Chassis, Truck		8736456	19207	M63A1	All
Chassis, Truck		8736457	19207	M63A1	All
Chassis, Truck		8736838	19207	M63A1D	All
Chassis, Truck	2320-00-226-6250	8736528	19207	M63A2	All
Chassis, Truck	2320-00-285-3757	8736527	19207	M63A2	All
Chassis, Truck		8736529	19207	M63A2C	All
Chassis, Truck		8736695	19207	M63A2D	All
Chassis, Truck	2320-00-835-8347	8358347	19207	M139	All
Chassis, Truck		8736307	19207	M139	All
Chassis, Truck	2320-00-746-6001	8736395	19207	M139F	All
Chassis, Truck		8736460	19207	M139A1	All
Chassis, Truck		8736461	19207	M139A1	All
Chassis, Truck		8736839	19207	M139A1F	All
Chassis, Truck		8736532	19207	M139A2	All
Chassis, Truck		8736533	19207	M139A2	All

b. 5-Ton M39 Series (Contd)

NOMENCLATURE	NSN	PART NO.	FSCM	MODEL NO.	SERIAL NO.
Chassis, Truck		8736626	19207	M139A2F	All
Truck, Stake	2320-00-880-4652	8736845	19207	M328A1	All
Chassis, Truck		8736830	19207	M328A2	All
Truck, Bolster	2320-00-880-4615	8736846	19207	M748A1	All
Truck, Bolster	2320-00-930-0023	8736750	19207	M748A2	All

c. 5-Ton M809 Series

NOMENCLATURE	NSN	PART NO.	FSCM	MODEL NO.	SERIAL NO.
Truck, Cargo	2320-00-050-8902	8736852	19207	M813	All
Truck, Cargo	2320-00-050-8890	8736851	19207	M813	All
Truck, Cargo	2320-00-050-8913	8736854	19207	M813A1	All
Truck, Cargo	2320-00-050-8905	8736853	19207	M813A1	All
Truck, Cargo	2320-00-050-8988	8736867	19207	M814	All
Truck, Cargo	2320-00-050-8987	8736866	19207	M814	All
Truck, Bolster	2320-00-050-8927	8736855	19207	M815	All
Truck, Wrecker	2320-00-051-0489	8736857	19207	M816	All
Truck, Dump	2320-00-050-8970	8736861	19207	M817	All
Truck, Dump	2320-00-051-0589	8736860	19207	M817	All
Truck, Tractor	2320-00-050-8984	8736863	19207	M818	All
Truck, Tractor	2320-00-050-8978	8736862	19207	M818	All
Truck, Tractor, Wrecker	2320-00-050-9004	8736869	19207	M819	All
Truck, Van	2320-00-050-9006	8736871	19207	M820	All
Truck, Van	2320-00-050-9007	8736872	19207	M820A1	All
Truck, Van	2320-00-050-9010	8736873	19207	M820A2	All
Truck, Stake	2320-00-050-9015	8736875	19207	M821	All
Chassis, Truck	2320-00-050-8842	8736850	19207	M809	All
Chassis, Truck	2320-00-050-8841	8736849	19207	M809	All
Chassis, Truck	2320-00-050-8941	8736856	19207	M809A1	All
Chassis, Truck	2320-00-051-0586	8736859	19207	M810	All
Chassis, Truck	2320-00-051-0585	8736858	19207	M810	All
Chassis, Truck	2320-00-050-8986	8736865	19207	M811	All
Chassis, Truck	2320-00-050-8985	8736864	19207	M811	All
Chassis, Truck	2320-00-050-8989	8736868	19207	M811A1	All
Chassis, Truck	2320-00-050-9005	8736870	19207	M811A2	All
Chassis, Truck	2320-00-050-9011	8736874	19207	M812	All
Chassis, Truck	2320-00-050-9040	8736876	19207	M812A1	All

d. Vehicle National Stock Number (NSN) will not change as a result of this MWO.

4. MODULE TO BE MODIFIED.

Not applicable.

5. PARTS TO BE MODIFIED.

Not applicable.

6. APPLICATION.

a. Time Compliance Schedule: The effective date of this MWO is 1 October 1988 and its completion date is 30 November 1992.

b. The lowest level of maintenance authorized to apply the MWO is Direct Support/General Support Maintenance with initial application by contract maintenance retrofit teams.

c. Work force and man-hour requirements for application of the MWO to a single unit, end item or system:

REQUIREMENTS	
WORK FORCE/SKILLS	MAN-HOURS
2 Wheeled Vehicle Mechanics (MOS 63B) or equivalent	4
Total man-hours required for a single application of this MWO is 4 hours.	

d. MWOs that must be applied prior to application of this MWO. Not applicable.

e. Additional information necessary to apply this MWO. Not applicable.

7. TECHNICAL PUBLICATIONS AFFECTED/CHANGED AS A RESULT OF THE MWO.

**2 1/2-Ton M44 Series
Technical Publications**

TM 9-2320-209-10 Series September 1980
 TM 9-2320-209-20 Series May 1981
 TM 9-2320-209-20P October 1976
 TM 9-2320-209-34P December 1976

**5-Ton M39 Series
Technical Publications**

TM 9-2320-211-10 Series September 1980
 TM 9-2320-211-20 Series December 1980
 TM 9-2320-211 -20P May 1973
 TM 9-2320-211-34P April 1972

**5-Ton M809 Series
Technical Publications**

TM 9-2320-260-10 June 1985
 TM 9-230-260-20 Series January 1981
 TM 9-230-260-20P November 1972
 TM 9-2320-260-34P/1 May 1973
 TM 9-2320-260-34P/2 May 1973

8. MWO KITS, PARTS, AND THEIR DISPOSITION.

a. The following kit is required to accomplish this modification. The security classification of the kit is unclassified. Shipping data is: Weight 7.18 lbs: the kit measures 1.27 x 0.60 x 0.27 ft; its volume is 0.275 cu ft.

NSN	NOMENCLATURE	FSCM	PART NO.
2540-01-245-2444	Seat Belt Kit	19207	12301438

b. Seat Belt Kit component parts are listed below. The listing is used to inventory the kit for completeness.

NSN	NOMENCLATURE	FSCM	PART NO.	QUANTITY
2540-01-168-1488	Rod, Long Restraining	19207	12255720-1	1
	Sleeve	19207	12301343	2
	Bracket	19207	12301344	4
	Installation Drawing	19207	12301439	1
2540-01-250-9842	Belt Assembly, Driver's			
	With Retractor	19207	12301442-1	1
2540-01-250-9843	Belt Assembly, Companion			
	With Retractor	19207	12301442-2	1
	Spacer	19207	12301487	1
2540-01-245-2445	Tether	19207	12301489	2
	Installation Instructions	19207	12301481	1
5310-00-656-0114	Washer	96906	MS15795-819	12
5310-00-081-4219	Washer, Small Flat	96906	MS27183-12	8
5310-00-003-9415	Washer	96906	MS27183-18	6
5310-00-003-4094	Washer	96906	MS35338-48	2
5310-00-241-6658	Nut	96906	MS51943-34	8
5310-00-488-3888	Nut	96906	MS51943-40	8
5305-00-051-4075	Screw	96906	MS90727-33	8
5305-00-709-8539	Screw	96906	MS90727-89	2
5305-00-710-4200	Screw	96906	MS90727-94	1
5305-00-719-5219	Screw	96906	MS90727-111	4
5305-00-719-5241	Screw	96906	MS90727-118	2
5305-00-719-5243	Screw	96906	MS90727-119	1
5305-00-719-5244	Screw	96906	MS90727-120	2
5305-00-719-5262	Screw	96906	MS90727-121	1
5305-01-132-8275	Washer, Large Flat	24617	9418924	8

c. Bulk and expendable material. Not applicable.

d. Parts disposition. Not applicable.

e. The below listed items are not included in Seat Belt Kit and must be requisitioned from stock.

NSN	NOMENCLATURE	FSCM	PART NO.	QUANTITY REQUIRED TO ACCOMPLISH ONE MWO
9905-00-858-5682	Plate, instruction, MWO	19207	10930014	1
5305-00-253-5614	Screw, drive	96906	MS21318-20	1

9. SPECIAL TOOLS; TOOL KITS; JIGS; TEST, MEASUREMENT AND DIAGNOSTIC EQUIPMENT (TMDE); AND FIXTURES REQUIRED.

a. Hand tools necessary to perform premodification inspection and to apply MWO are contained in this tool kit.

NOMENCLATURE	NSN	FSCM	SUPPLY CATALOGUE
Tool Kit, General Mechanic's	5180-00-177-7033	50980	SC 5180-90-CL-N26

b. Welding and metal drilling equipment necessary to apply MWO is contained in this shop set.

NOMENCLATURE	NSN	FSCM	SUPPLY CATALOGUE
Shop Equipment, Automotive Maintenance and Repair, Field Maintenance and Repair: Basic, Less Power	4910-00-754-0705	19204	SC 4910-95-CL-A31

10. MODIFICATION PROCEDURES.

a. Truck Premodification Inspection.

(1) Remove driver and companion seat assemblies. Removal procedures for 2 1/2-Ton M44 series vehicles are found in TM 9-2320-209-20 series; 5-Ton M39 series vehicles in TM 9-2320-211-20 series; and 5-Ton M809 series vehicles in TM 9-2320-260-20 series.

WARNING

WEAR HEARING AND EYE PROTECTION WHEN PERFORMING THIS TASK..
FAILURE TO DO SO COULD RESULT IN INJURY TO PERSONNEL.

(2) Inspect cab assembly for damage that affects the installation of the Seat Belt Kit. After removing driver and companion seats, check for rust/corrosion or other damage to the metal in the areas identified in figure 1. If rust/corrosion or damage is found, the degree of damage must be determined to decide what repair procedure to follow or whether the cab assembly should be replaced. Test the cab areas identified by shading in figure 1 for metal soundness by probing the metal surfaces every 3 in. (7.6 cm) with a 3/8 in. flat point punch NSN 5120-00-273-0001 and 16 oz machinist's ball peen hammer NSN 5120-00-061-8543.

(3) Good metal will remain intact or dent slightly when tapped with hammer and punch listed above. Rusted, corroded, or damaged metal will punch through or crumble when struck. If metal surfaces are sound, proceed with installation instructions as described in the kit drawing applicable to the truck. If metal rust, corrosion, or damage is detected, have it repaired before installation of the Seat Belt Kit.

(4) Any vehicle cab condition identified during inspection that prevents the proper installation of the kit as specified by this MWO is justification for denial of application. Vehicles failing this inspection because of repairable rust, corrosion, or metal damage will be identified with the following statement on DA Form 2407: "Unable to install Seat Belt Modification Work Order because of repairable rust/corrosion or metal damage." (Indicate which condition applies.) The vehicle will be returned to the owning unit for repair. If repairs are past the owning unit's capability, or if the cab assembly must be replaced, the owning unit will evacuate the vehicle to Direct Support Maintenance for repair or replacement.

(5) No cab repair or replacement time is authorized by the installation team when MWO 9-2320-200-35-1 is applied.

b. Installation of Kit. Seat Belt Kit is installed IAW installation instructions provided in appendix B.

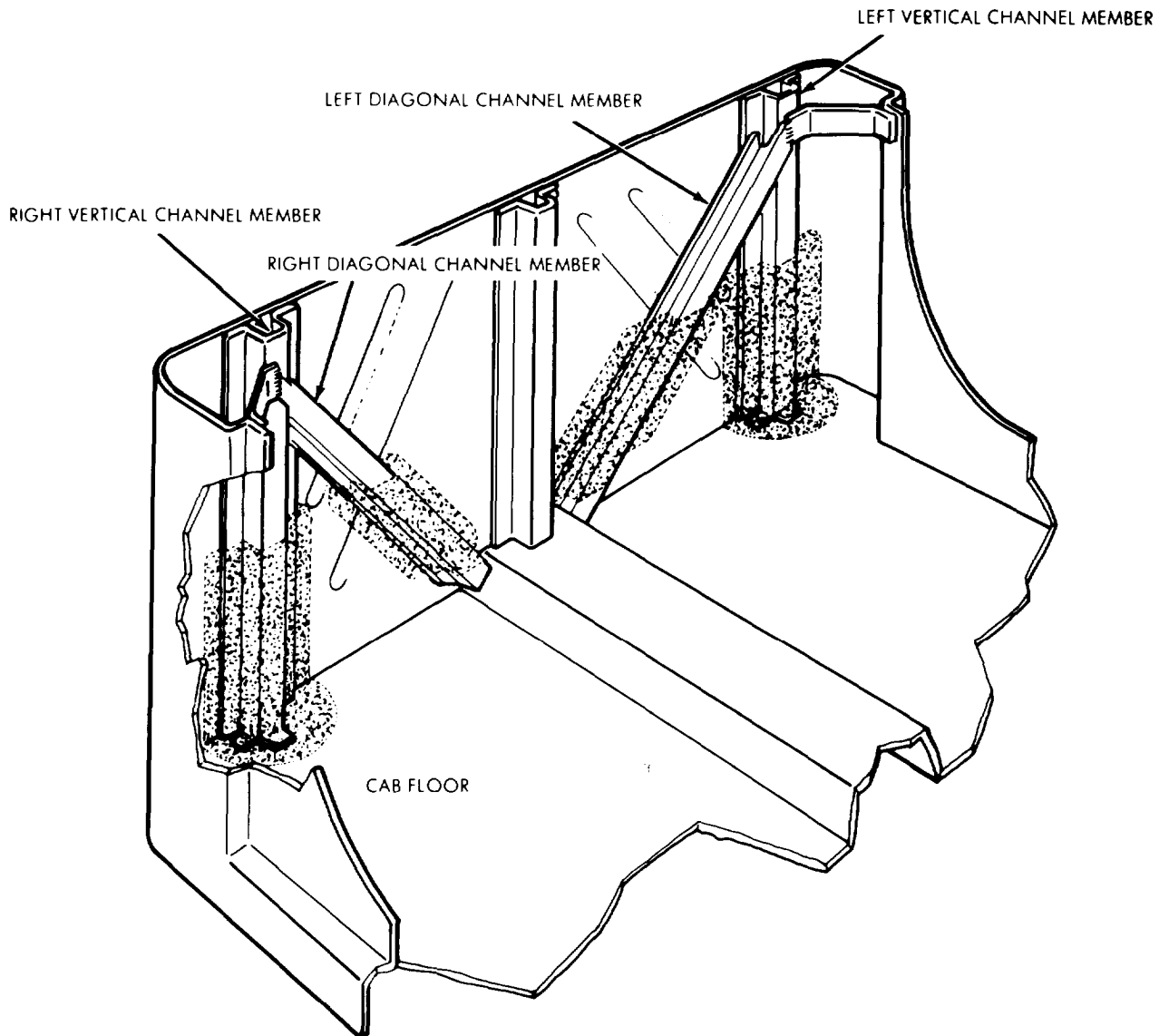


Figure 1. Metal Test Areas

11. CALIBRATION REQUIREMENTS.

Not applicable to this MWO.

12. WEIGHT AND BALANCE DATA.

Weight and balance are not significantly affected.

13. QUALITY ASSURANCE REQUIREMENTS.

a. General. The following information is supplied to ensure the proper application of this modification and provide clarification in regard to the adequacy of the installer's inspection methods and procedures applicable to Quality Assurance. The procedures include, but are not limited to, installer responsibilities, government verification, and in-process and workmanship inspections. Inspections shall be in accordance with TM 750-245-4.

b. Installer Responsibilities. The installer is responsible for compliance with quality assurance requirements specified herein. These requirements and the installer's plan of inspection, or quality program, constitute the minimum examinations and tests necessary to assure compliance with established requirements. Requirements contained in this MWO shall be included in the installer's inspection plan or quality program. These requirements shall not be construed as eliminating the installer's responsibility from complete compliance with all the provisions of the contract. Specific installer responsibilities for modification work order are as follows: The installer is responsible for following instructions contained in this MWO, for pre-modification inspection and installation of the Seat Belt Kit, and for follow-on tasks IAW MWO 9-2320-200-35-1. Installer is responsible for notifying the Government representative if Seat Belt Kits received are incomplete or received in open or damaged packaging material. The installer is responsible for quality workmanship.

c. Government Verification. All quality assurance operations performed by installer are subject to Government verification at unscheduled intervals. Verification will consist of: (A) Surveillance of the operations to determine that practices, methods, and procedures of the written inspection plan are being properly applied; and (B) Government product inspection to measure quality of product offered for acceptance, deviation from prescribed or agreed upon procedures, or instances of practices which might have an adverse effect upon the quality of the product. will immediately be brought to the attention of the installer. Failure of the installer to promptly correct deficiencies noted shall be cause for suspension of acceptance until corrective action has been made, or until conformance of product to prescribed criteria has been demonstrated.

d. In-Process Inspection. During normal assembly operations, inspect condition of cab sheet metal indicated in figure 1 and seat belt anchor screws at the points where seat belts attach to the seat and where seat belt tether attaches to cab assembly. Seat belt mounting screws will be checked to ensure that torque value is within tolerance specified in Seat Belt Kit installation instructions. Seat belt retractors and buckle release mechanisms must function properly. Driver and companion seats must be remounted as described in the technical manual for the applicable vehicle. All vehicles modified during each production shift will be checked to assure product quality and proper installation.

e. Workmanship Inspection. Inspect components removed, installed, or replaced during the modification for security of mounting. Inspect painted areas of cab for missing, chipped, or cracked paint and correct if necessary. Inspect metal surfaces for any burrs or sharp edges and remove if present. Inspect for loose or missing Seat Belt Kit mounting components, and cuts, tears, or any imperfection that would degrade the strength of the seat belt.

14. RECORDING AND REPORTING OF THE MODIFICATION.

- a. Records and report forms. (Refer to DA PAM 738-750.)
- b. Marking Equipment.

(1) After Seat Belt Kit is installed, mark MWO Number "9-2320-200-35-1" in MWO Applied Block and date applied in Date Block on MWO Data Plate NSN 9905-00-858-5682.

(2.) Install MWO data plate by drilling a hole (#37 drill) in cab brace and secure with drivescrew NSN 5305-00-253-5614 as shown in figure 2 for Seat Belt Kits installed in 5-ton cabs, and as in figure 3 for 2 1/2-ton cabs.

(3) After drivescrew is installed, flatten or remove protruding excess drivescrew material from inside of cab brace.

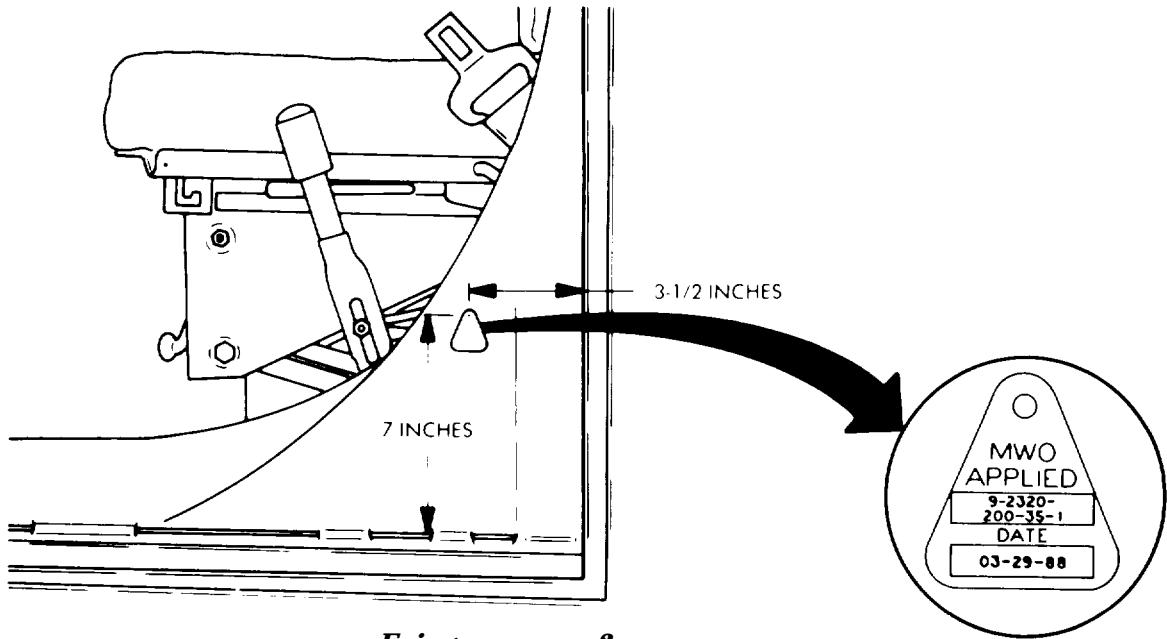


Figure 2.

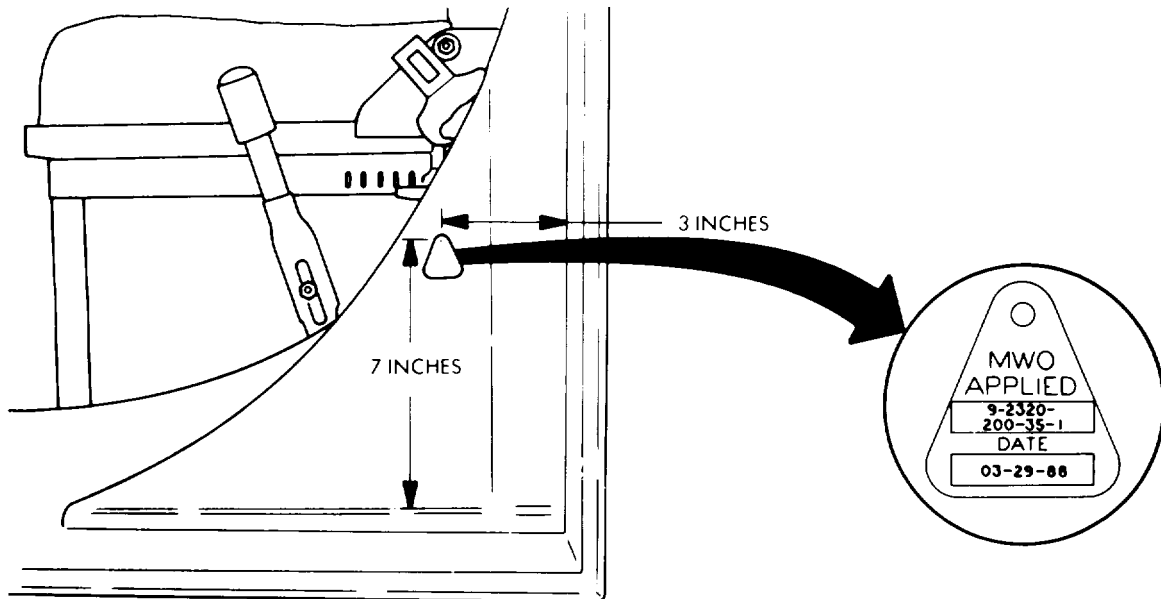


Figure 3.

15. PRODUCT IMPROVEMENT PROPOSAL (PIP) NUMBER.

This MWO is authorized by PIP number 1-87-06-4146.

16. MODIFICATION IDENTIFICATION.

- a. When installed correctly, the seat belt modification to fixed driver's seat will appear as shown in figure 4.
- b. When installed correctly, seat belt modification to floating driver's seat will appear as in figure 5.
- c. When installed correctly, seat belt modification to companion seat will appear as in figures 4 and 5.
- d. After Seat Belt Kit is installed, seat belt anchors and retractors should be tested for secure mounting and smooth operation. Any seat belt assembly found to be non-functional or with discrepancies in mounting will be corrected before the vehicle is returned to normal service.

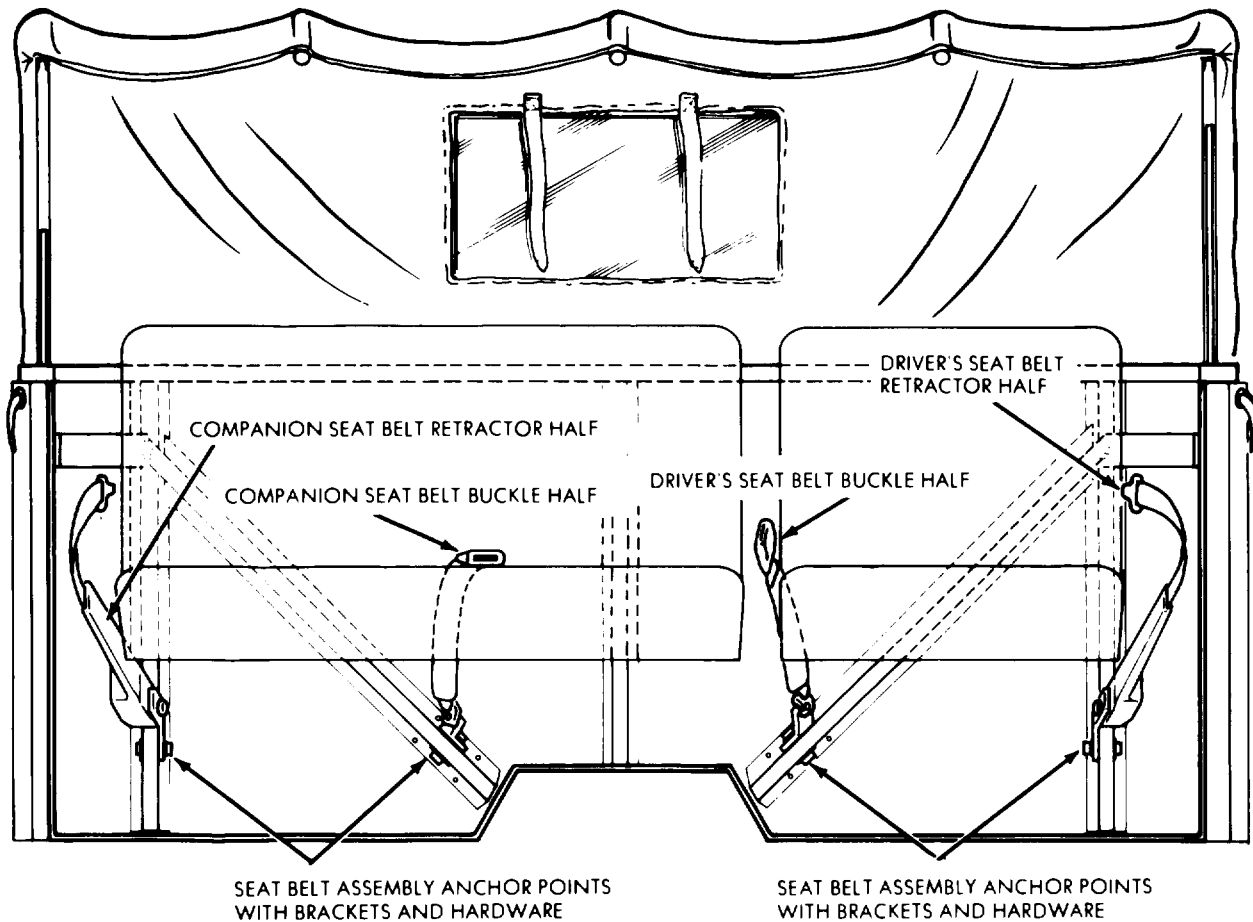


Figure 4. Fixed Driver's and Companion Seat

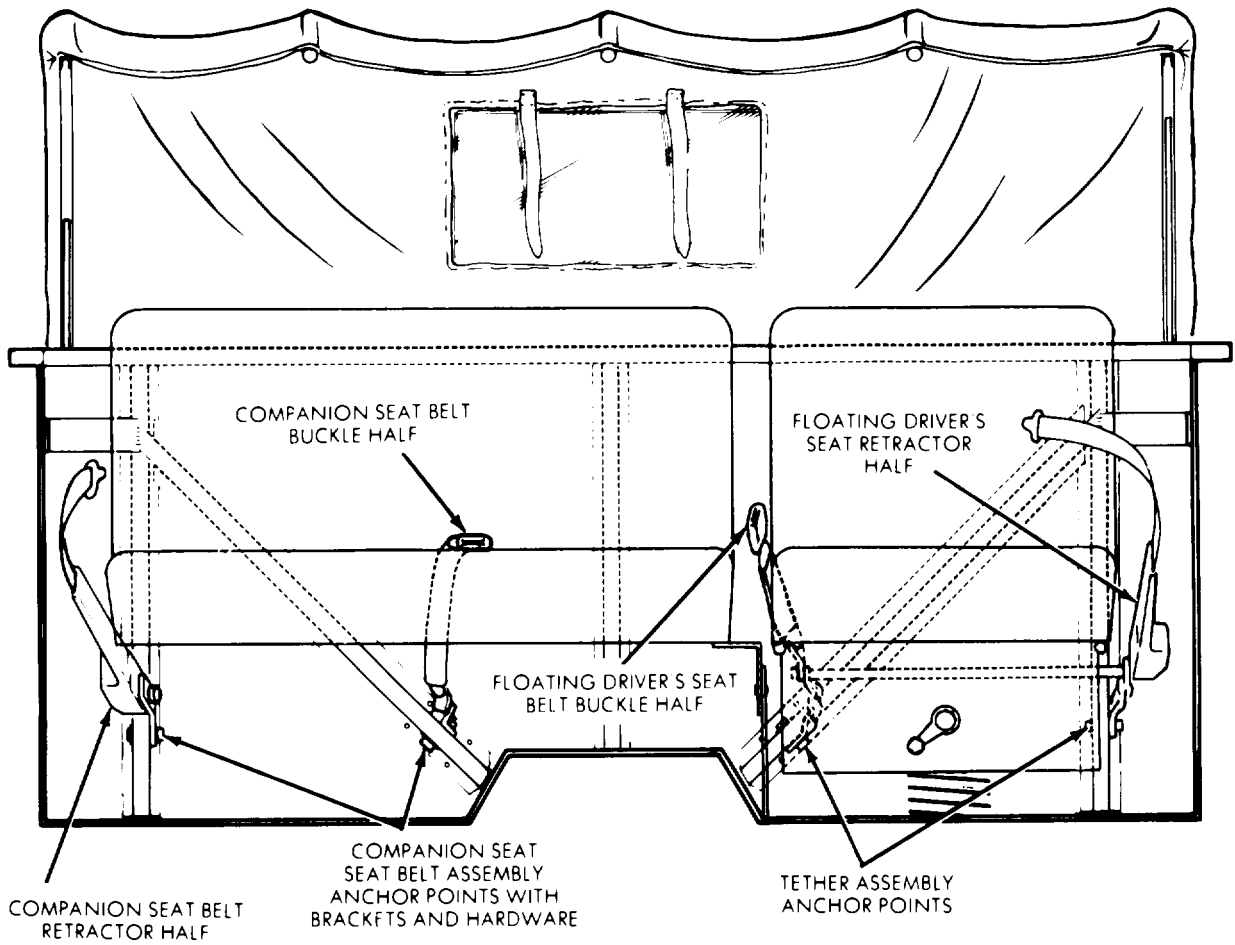


Figure 5. Floating Driver's and Companion Seats

APPENDIX A

SAMPLE COPIES OF DA FORM 2407, WORK ORDER REQUESTS, USED TO REQUEST APPLICATION OF MODIFICATION WORK ORDER BY DIRECT SUPPORT MAINTENANCE FILLED OUT BY CUSTOMER UNIT.

SAMPLE COPY OF DA FORM 2407 WITH ENTRIES FILLED OUT BY CONTACT TEAM OR DIRECT SUPPORT MAINTENANCE PERSONNEL. FOR SPECIFIC INSTRUCTIONS, SEE DA PAM 738-750.

MAINTENANCE REQUEST				PAGE NO.	NO. OF PAGES	REQUIREMENT CONTROL SYMBOL	
For use of this form, see TM 38 750, the proponent agency is DCSLOG.						CSGLD-1047(R1)	
SECTION I - EQUIPMENT DATA							
CONTROL NUMBER 334095		WORK ORDER NUMBER 531298-020		WESDC BSB	ORG PD 06	PD AUTHENTICATION Robert B. Call, CPT, EN	
<input type="checkbox"/> WORK REQUEST <input checked="" type="checkbox"/> MWO <input type="checkbox"/> WARRANTY CLAIM	1a. ORGANIZATION ACO 273 * ENGRBN			b. LOCATION APO 09176 NYNY		c. UNIT IDENT CODE W58 K92	
2. SERIAL NO. 607	3. NOUN NOMENCLATURE TRUCK, CARGO 5T			4. LINE NO.	5. MODEL M813	6. NATIONAL STOCK NUMBER 2320-00-050-8902	
7. MAINTENANCE ACTIVITY 22ND MAINT. CO(DS)	8. LEVEL F	9. UTILIZATION CODE ON	10. MCSR ITEM	11. ERC	12. PACING ITEM	13. HOURS	14. MILES
14. FAILURE DETECTED DURING (Select one - use ✓ or X)				15. FIRST INDICATION OF TROUBLE (Select one - use ✓ or X)			
<input type="checkbox"/> A Scheduled Maintenance <input type="checkbox"/> C Test <input type="checkbox"/> E Storage <input type="checkbox"/> G Flight <input type="checkbox"/> B Handling <input type="checkbox"/> D Normal Op <input type="checkbox"/> F Inspection <input type="checkbox"/> H Other				<input checked="" type="checkbox"/> 068 Inoperative <input type="checkbox"/> 258 Overheating <input type="checkbox"/> 790 Out of Adjustment <input type="checkbox"/> 008 Noisy <input type="checkbox"/> 387 Low Performance <input type="checkbox"/> Other			
16. DESCRIBE DEFICIENCIES OR SYMPTOMS ON THE BASIS OF COMPLETE CHECKOUT AND DIAGNOSTIC PROCEDURE IN EQUIPMENT TM (Do not prescribe repairs)							
APPLY MWO 9-2320-200-35-1 PIP # 1-87-06-4146							
16a. REMARKS							
PREPARATION INSTRUCTIONS <i>(Prior to using this form, read TM 38 750 for detailed preparation instructions)</i>							
(1) Place a "✓" or an "X" in the box for the type action required. (2) Enter the WESDC if the item is Materiel Condition Status Reportable. (3) Enter the priority designator as determined from the urgency of need and force activity designator. (4) The Unit Commander, Chief of activity or their designated representative will authenticate, by signature, the request of 01 through 08. (5) Block 1a. Enter the name of the organization submitting the request. (6) Block 1b. Enter the unit submitting the request. Do not enter APO only. (7) Block 1c. Enter the unit identification code of the item in block 1a. (8) Block 2. Enter the equipment serial no. For ammunition, enter the lot number. For administrative use vehicles enter the USA registration number. (9) Block 3. Enter the noun abbreviation of the item. (10) Block 4. Enter the item line number if applicable. (11) Block 5. Enter the model number. (12) Block 6. Enter the national stock number of the item listed in block 3.				(13) Block 7a. Enter the name of the support activity. (14) Block 7b. Enter the symbol of the maintenance category (O, F, H, D or L). (15) Block 8. Enter the utilization code. (16) Block 9. Enter the word "yes" if the item is Materiel Condition Status Reportable. (17) Block 9a. Enter the equipment readiness code, if applicable. (18) Block 9b. Enter the word "yes" if the item is a pacing item. (19) Block 10. Enter the hour reading if applicable. (20) Block 11. Enter the mileage from the odometer if applicable. (21) Block 12. Enter the total rounds fired if applicable. (22) Block 13. For turbine engines, enter the number of hot starts. (23) Block 14. Enter a "✓" or "X" in the proper block. (24) Block 15. Enter a "✓" or "X" in the proper block. (25) Block 16. Describe briefly the fault or symptoms needing correction.			
23. SUBMITTED BY R.U. Wright		24. RECEIVED BY					
JULIAN DATE 8029		JULIAN DATE					

DA FORM 2407 MAY 81

EDITION OF JUL 79 IS OBSOLETE.

RECEIPT COPY 1

MAINTENANCE REQUEST				PAGE NO.	NO. OF PAGES	REQUIREMENT CONTROL SYMBOL			
For use of this form, see TM 38-750, the proponent agency is DCSLOG.						CSGLD-1047(R1)			
SECTION I - EQUIPMENT DATA									
CONTROL NUMBER 334095		WORK ORDER NUMBER S 312 98-020		WESDC BSB	ORG PD 06	PD AUTHENTICATION <i>Robert B. Con, Cpt. EN</i>			
<input type="checkbox"/> WORK REQUEST <input checked="" type="checkbox"/> MWO <input type="checkbox"/> WARRANTY CLAIM	1a. ORGANIZATION ACO 273RD ENGR BN			6. LOCATION APO 09176 NY NY		c. UNIT IDENT CODE W58 K92			
2. SERIAL NO. 607	3. NOUN NOMENCLATURE TRUCK CARGO ST			4. LINE NO.	5. MODEL M813	6. NATIONAL STOCK NUMBER 2320-00-050-8902			
7. MAINTENANCE ACTIVITY 22ND MAINT CO(DS)		a. LEVEL F	8. UTILIZATION CODE ON	9. MCSR ITEM	4. ERC	b. PACING ITEM 206	10. HOURS 2,800M		
14. FAILURE DETECTED DURING (Select one - use ✓ or X) <input type="checkbox"/> A Scheduled Maintenance <input type="checkbox"/> C Test <input type="checkbox"/> E Storage <input type="checkbox"/> G Flight <input type="checkbox"/> B Handling <input type="checkbox"/> D Normal Op <input type="checkbox"/> F Inspection <input type="checkbox"/> H Other				15. FIRST INDICATION OF TROUBLE (Select one - use ✓ or X) <input type="checkbox"/> 068 Inoperative <input checked="" type="checkbox"/> 258 Overheating <input type="checkbox"/> 790 Out of Adjustment <input type="checkbox"/> 008 Noisy <input type="checkbox"/> 387 Low Performance <input type="checkbox"/> Other					
18. DESCRIBE DEFICIENCIES OR SYMPTOMS ON THE BASIS OF COMPLETE CHECKOUT AND DIAGNOSTIC PROCEDURE IN EQUIPMENT TM (Do not prescribe repairs) APPLY MWO 9-2320-200-35-1 PIP # 1-87-06-4146									
16a. REMARKS									
SECTION II - WORK ACCOMPLISHED									
17a. REPAIR ORGANIZATION/ACTIVITY 22ND MAINT CO(DS)			c. UNIT IDENT CODE W58 532		17b. TYPE OF ORGANIZATION/ACTIVITY AC- COMPLISHING WORK (Select one - use ✓ or X) <input type="checkbox"/> 1 TO <input checked="" type="checkbox"/> 2 TO <input type="checkbox"/> 3 CONTRACTOR		19. AMS ACCOUNT CODE		
b. LOCATION AP0 09176									
20a. ACT CODE	FAILURE CODE b	c. COMPONENT/PART NOUN, SVC, OR MWO NO.		MANHOURS	NATIONAL STOCK NUMBER	PART SOURCE CODE	QTY	PARTS COST	
		d. CB CODE	e. REF DESIGNATOR	f. MFR					
	801	MWO 9-2320-200-35-1 M		1.5	2320-00-050-8902		1		
				2.0					
G	FINAL		S MIL	.5					
				i. TOTAL MANHOURS 4.0	m. TOTAL MANHOURS COST \$	n. TOTAL PARTS COST \$			
21. DELAY (Select one) <input checked="" type="checkbox"/> 1 Parts <input type="checkbox"/> 2 Manpower <input type="checkbox"/> 3 Facilities <input type="checkbox"/> 4 Funds <input type="checkbox"/> 5 Tools					22. <input type="checkbox"/> DATA TRANSCRIBED				
23. SUBMITTED BY <i>R. U. Steag</i>		24. RECEIVED BY <i>S. Smith</i>		25. WORK STARTED BY <i>B. Ranson</i>		26. INSPECTED BY <i>R. R. Roy</i>		27. ACCEPTED BY <i>C. W. McCall</i>	
JULIAN DATE 8029		JULIAN DATE 8086		JULIAN DATE 8088		JULIAN DATE 8089		JULIAN DATE 8093	
					28. DISPOSITION (Select one) <input checked="" type="checkbox"/> A To User <input type="checkbox"/> C Salvaged <input type="checkbox"/> B To Stock <input type="checkbox"/> D Evacuated <input type="checkbox"/> E Cannibalization				

DA FORM 1 MAY 81 2407

EDITION OF JUL 79 IS OBSOLETE.

ORGANIZATION COPY 4

A P P E N D I X B

INSTALLATION INSTRUCTIONS FOR SEAT BELT KIT

B-1. VEHICLE PREPARATION.

- a. Set hand (parking) brake. (Refer to TM 9-2320-260-10, or TM 9-2320-211-10, or TM 9-2320-209-10.)
- b. Remove companion seat. (Refer to TM 9-2320-260-20, or TM 9-2320-211-20, or TM 9-2320-209-20.)
- c. Remove driver's seat. (Refer to TM 9-2320-260-20, or TM 9-2320-211-20, or TM 9-2320-209-20.)

NOTE

Perform steps "d", "e", and "f" for driver's floating and fixed driver's seat belt installation.

- d. Locate, mark, and drill four 0.531-inch diameter holes in vertical cab channel members shown as holes "A" and "D" in figures B-1 and B-2.
- e. Locate, mark, and drill eight 0.344 -inch diameter holes in diagonal cab channel members in line shown as holes "B" and "E" in figures B-1 and B-2.
- f. Locate, mark, and drill four 0.656-inch diameter holes in diagonal cab channel members in line shown as holes "C" and "F" in figures B-1 and B-2.

B-2. INSTALLATION PROCEDURES FOR FLOATING DRIVER'S SEAT.**NOTE**

For welding procedures and materials, refer to TM 9-237.

- a. Position 12255720-1 long restraining rod to driver's seat bottom plate and weld in place as shown in figure B-3.
- b. Clean, prime, and paint welded area IAW TM 43-0139.
- c. Install eight MS90727-33 screws and MS27183-12 small flat washers inside cab, and 9418924 large flat washers and MS51943-34 nuts outside cab on left and right diagonal cab channel members as shown in figure B-2.
- d. Position 12301489 tether assembly to left vertical cab channel member and secure with MS90727-119 screw, two MS27183-18 washers, and MS51943-40 nut as shown in figure B-4. Tighten screw 20-25 lb-ft (27-34 N•m).
- e. Install 12301343 sleeve in hole of left diagonal cab channel member and position 12301489 tether assembly to lower side of channel member and secure with MSW727-121 screw, two MS27183-18 washers, and MS51943-40 nut as shown in figure B-4. Tighten screw 20-25 lb-ft (27-34 N•m).
- f. Install driver's floating seat. (Refer to TM 9-2320-260-20, or TM 9-2320-211-20, or TM 9-2320-209-20.)

NOTE

Perform step "g" on floating driver's seat with long restraining rod welded to seat in step "a".

- g. Position 12301442-1 seat belt half with retractor to left side of floating driver's seat and secure tether assembly and seat belt anchor to restraining bar with MS90727-89 screw and MS35338-48 washer as shown in figure B-5. Tighten screw 40-45 lb-ft (54-61 N•m).

NOTE

Perform step "h" on floating driver's seat with existing short restraining rod.

h. Position 12301442-1 seat belt half with retractor to left side of floating driver's seat and secure tether assembly and seat belt anchor to restraining bar with 12301487 spacer, MS90727-94 screw, and MS35338-48 washer as shown in figure B-6. Tighten screw 40-45 lb-ft (54-61 N•m).

i. Position 12301442-1 seat belt half with buckle to right side of floating driver's seat and secure tether assembly and seat belt anchor to restraining bar with MS90727-89 screw and MS35338-48 washer as shown in figure B-7. Tighten screw 40-45 lb-ft (54-61 N•m).

B-3. INSTALLATION PROCEDURES FOR FIXED DRIVER'S SEAT.

a. Install eight MS90727-33 screws and MS27183-12 small flat washers inside cab, and 9418924 large flat washers and MS51943-34 nuts outside cab on left and right diagonal cab channel members as shown in figure B-2.

b. Position 12301344 bracket to left vertical cab channel member and secure bracket with MS90727-118 screw, MS27183-18 washer, and MS51943-40 nut as shown in figure B-8. Tighten nut 20-25 lb-ft (27-34 N•m).

c. Position 12301442-1 seat belt retractor half to bracket and secure with MS90727-111 screw, three MS15795-819 washers, and MS51943-40 nut as shown in figure B-8. Tighten nut 20-25 lb-ft (27-34 N•m).

d. Install 1230343 sleeve in hole on left diagonal cab channel member and position 12301344 bracket to upper side of channel member and secure with MS90727-120 screw, MS27183-18 washer, and MS51943-40 nut as shown in figure B-9. Tighten screw 20-25 lb-ft (27-34 N•m).

e. Position 12301442-1 seat belt buckle half on bracket and secure with MS90727-111 screw, three MS15795-819 washers, and MS51943-40 nut as shown in figure B-9. Tighten nut 20-25 lb-ft (27-34 N•m).

f. Install driver's fixed seat. (Refer to TM 9-2320-260-20, or TM 9-2320-211-20, or TM 9-2320-209-20.)

B-4. INSTALLATION INSTRUCTIONS FOR COMPANION SEAT.

a. Install 12301343 sleeve in hole of right diagonal cab channel member and position 12301344 bracket to upper side of channel member. Secure bracket to channel member with MS90727-120 screw, MS27183-18 washer, and MS51943-40 nut as shown in figure B-10. Tighten nut 20-25 lb-ft (27-34 N•m).

b. Position 12301442-2 seat belt buckle half on bracket and secure with MS90727-111 screw, three MS15795-819 washers, and MS51943-40 nut as shown in figure B-10. Tighten nut 20-25 lb-ft (27-34 N•m).

c. Position 123013144 bracket to right vertical cab channel member, and secure bracket with MS90727-118 screw, MS27183-18 washer, and MS51943-40 nut as shown in figure B-11. Tighten nut 20-25 lb-ft (27-34 N•m).

d. Position 12301442-2 seat belt retractor half to bracket and secure with MS90727-111 screw, three MS15795-819 washers, and MS51943-40 nut as shown in figure B-11. Tighten nut 20-25 lb-ft (27-34 N•m).

e. Install companion seat. (Refer to TM 9-2320-260-20, or TM 9-2320-211-20, or TM 9-2320-209-20.)

f. Route center seat belt half between companion seat back and seat bottom as shown in figures 4 and 5.

NOTE

After Seat Belt Kit is installed, seat belt anchors and retractors will be tested for secure mounting and smooth operation. Any seat belt assembly not properly operating or mounted will be corrected before the vehicle is returned to normal service.

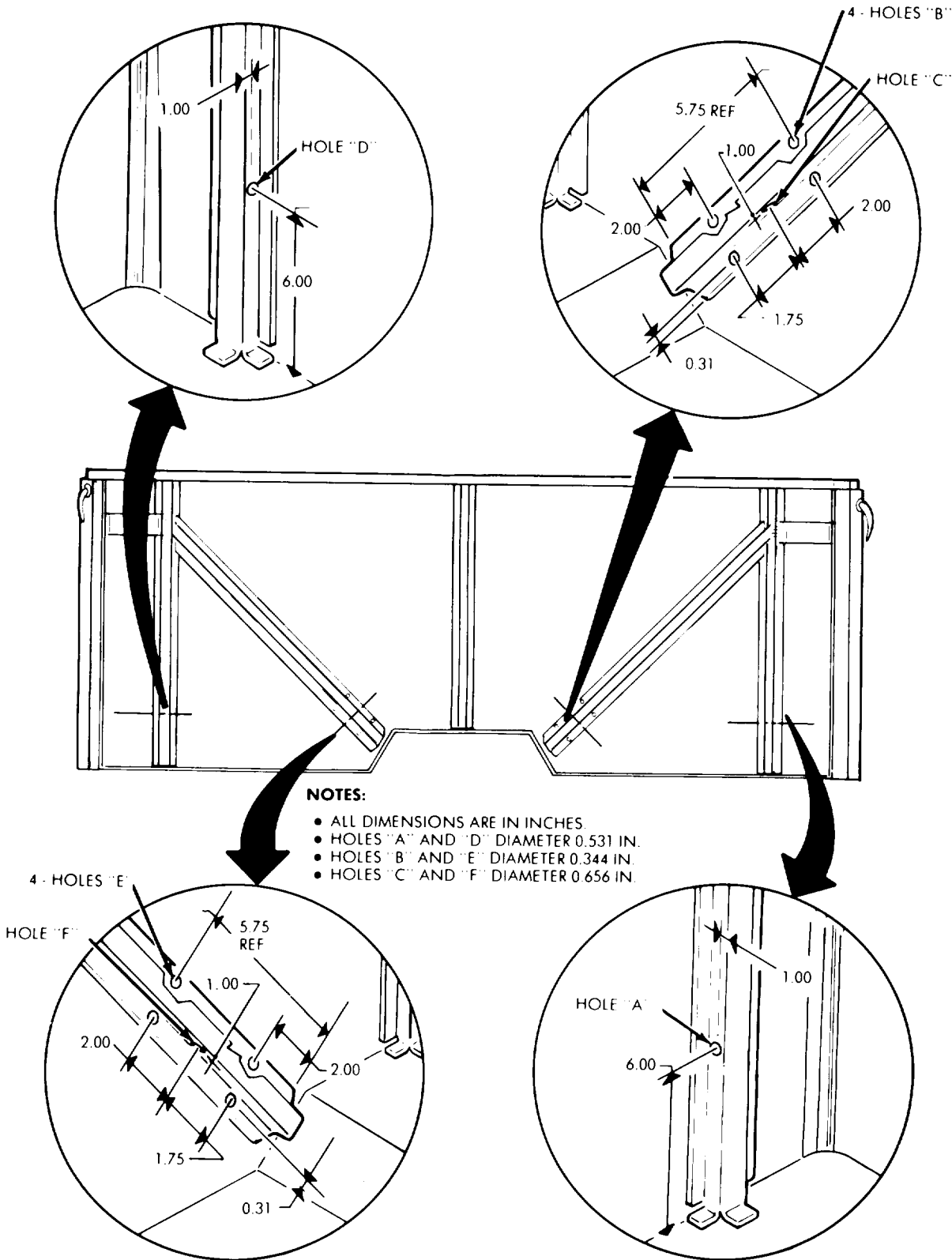


Figure B-1. Cab and Cab Channel Holes

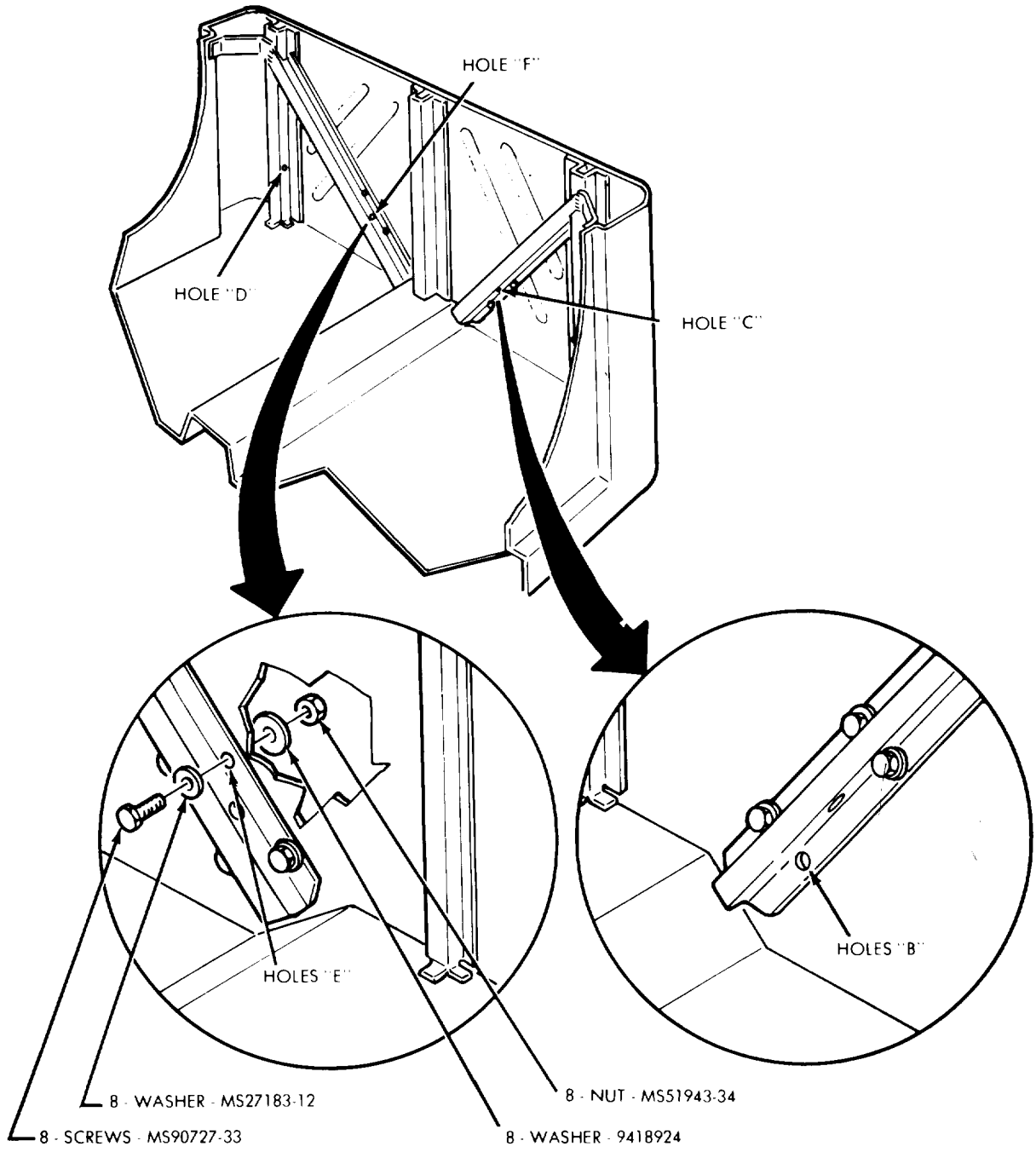
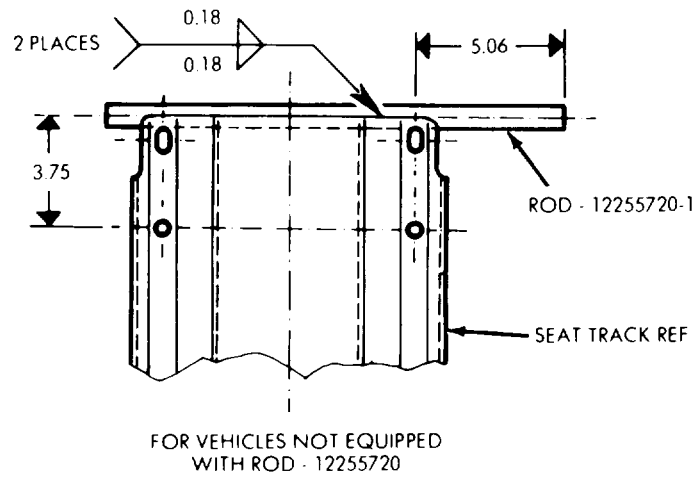
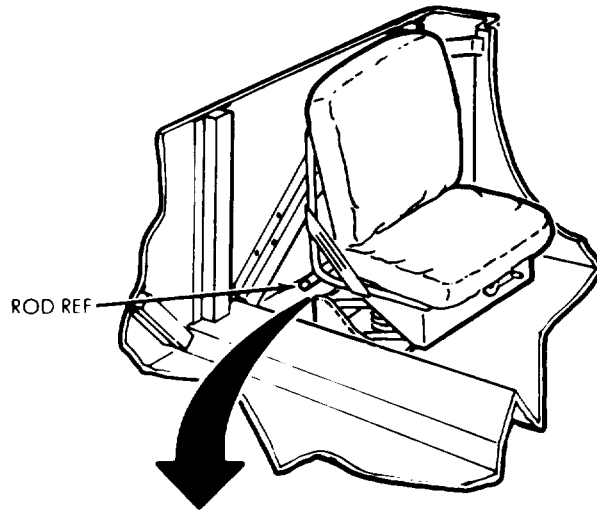


Figure B-2. Cab Channel Reinforcement



NOTE: DIMENSIONS ARE IN INCHES

Figure B-3. Floating Seat Retraining Rod

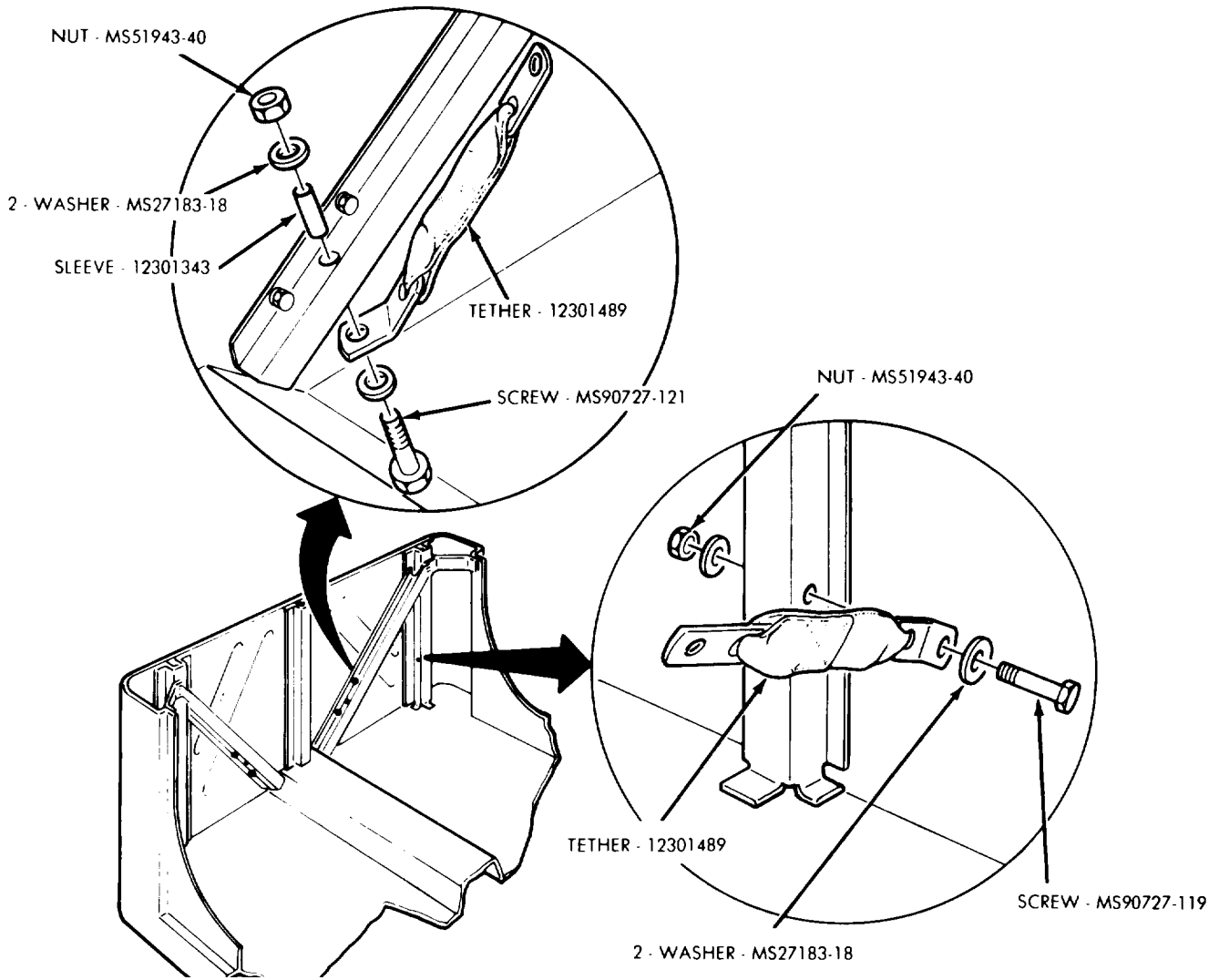


Figure B-4. Floating Seat Tethers

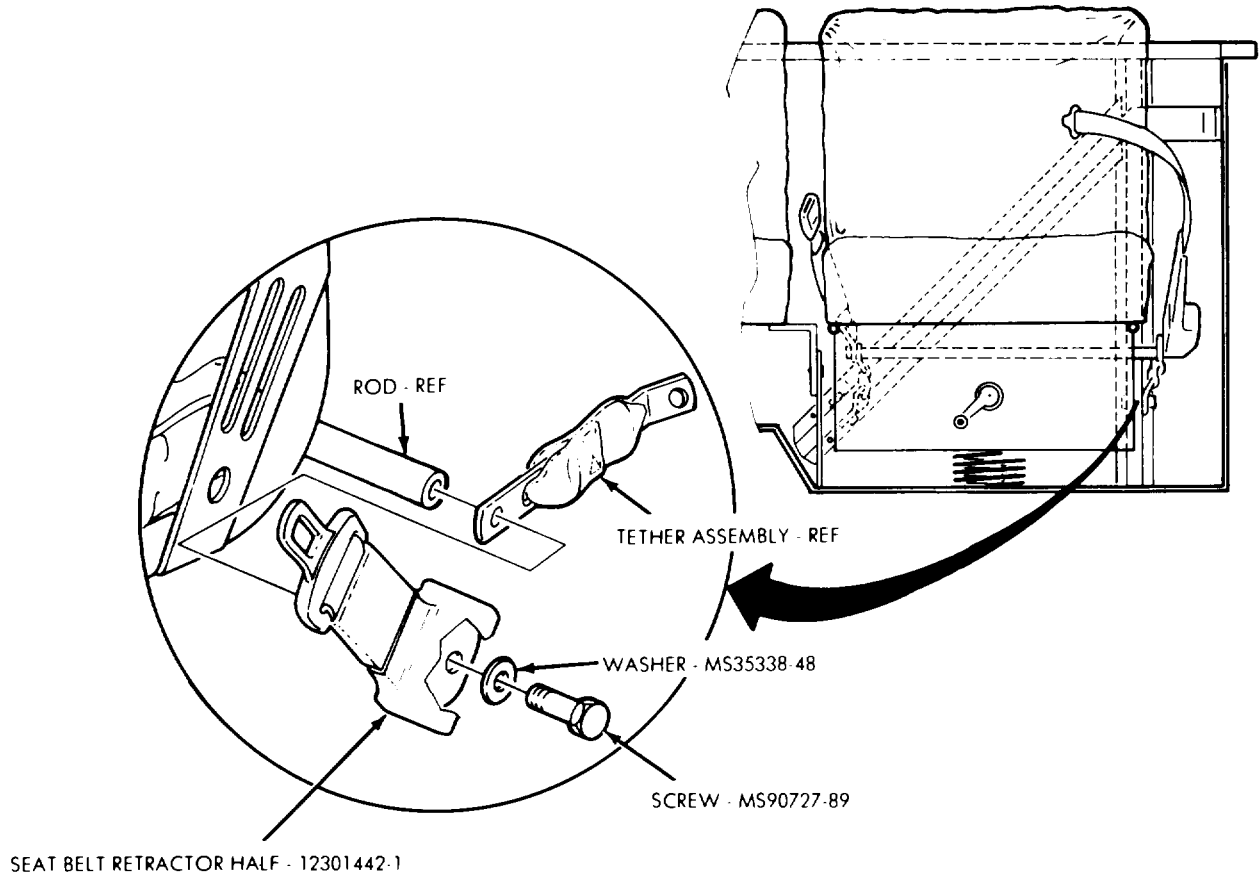


Figure B-5. Floating Seat Belt Retractor to Welded Rod

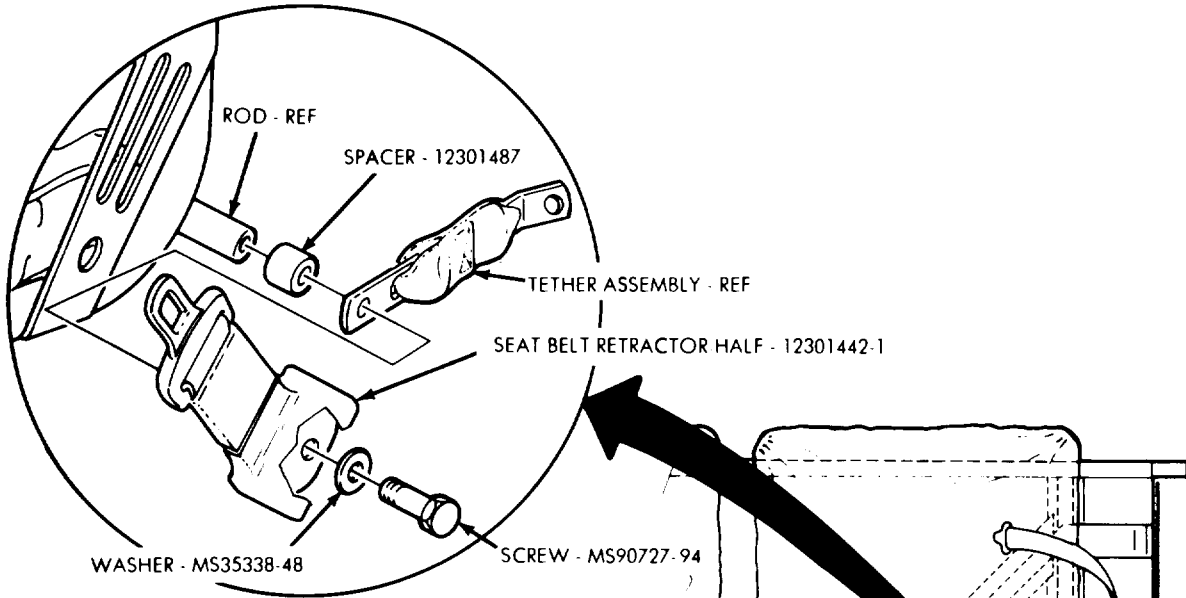


Figure B-6. Floating Seat Belt Retractor to Existing Rod

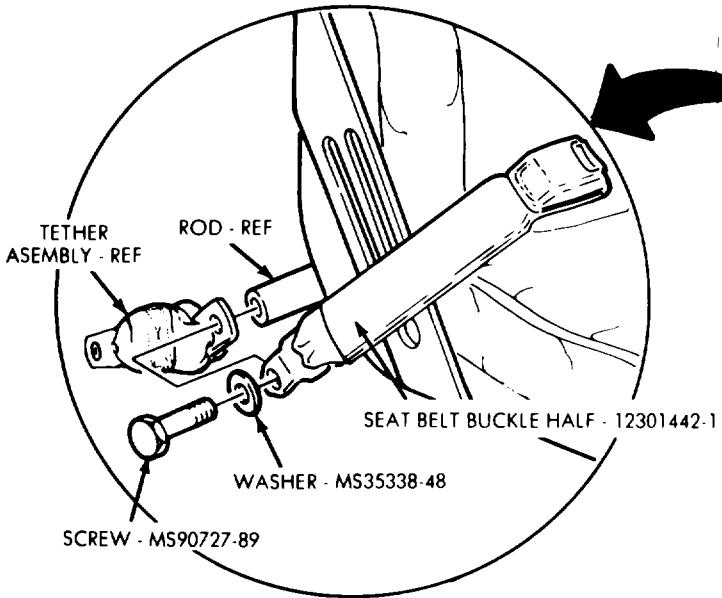


Figure B-7. Floating Seat Belt Buckle Half Installation

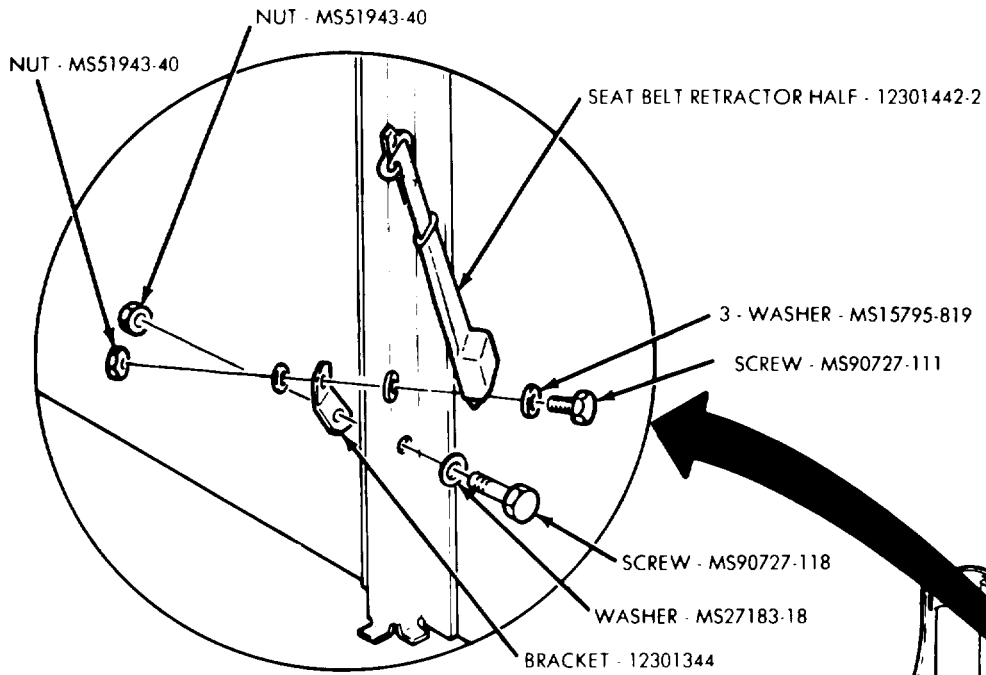


Figure B-8. Fixed Driver's Seat Belt Retractor Installation

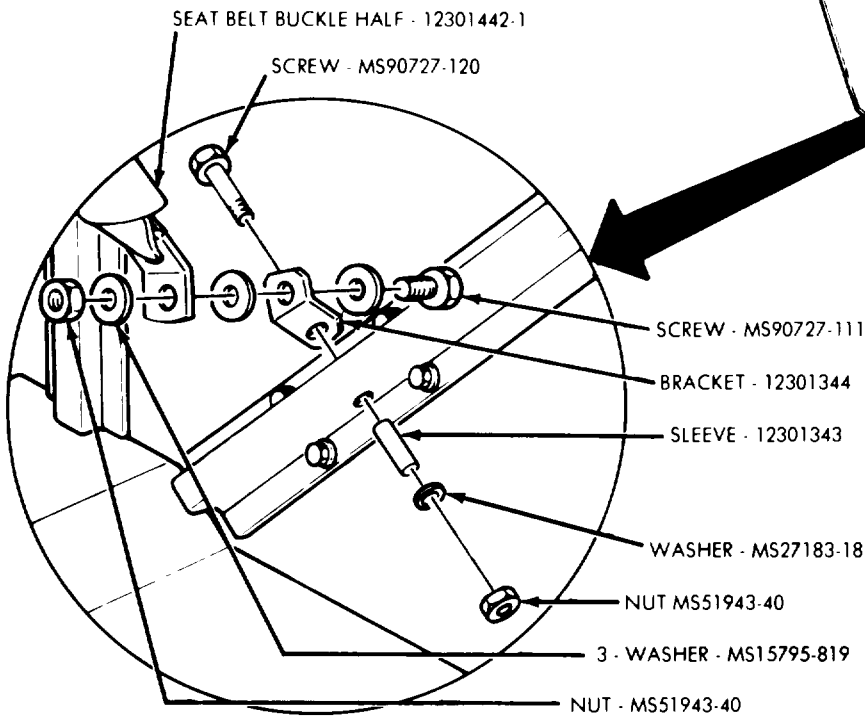


Figure B-9. Fixed Driver's Seat Belt Buckle Half Installation

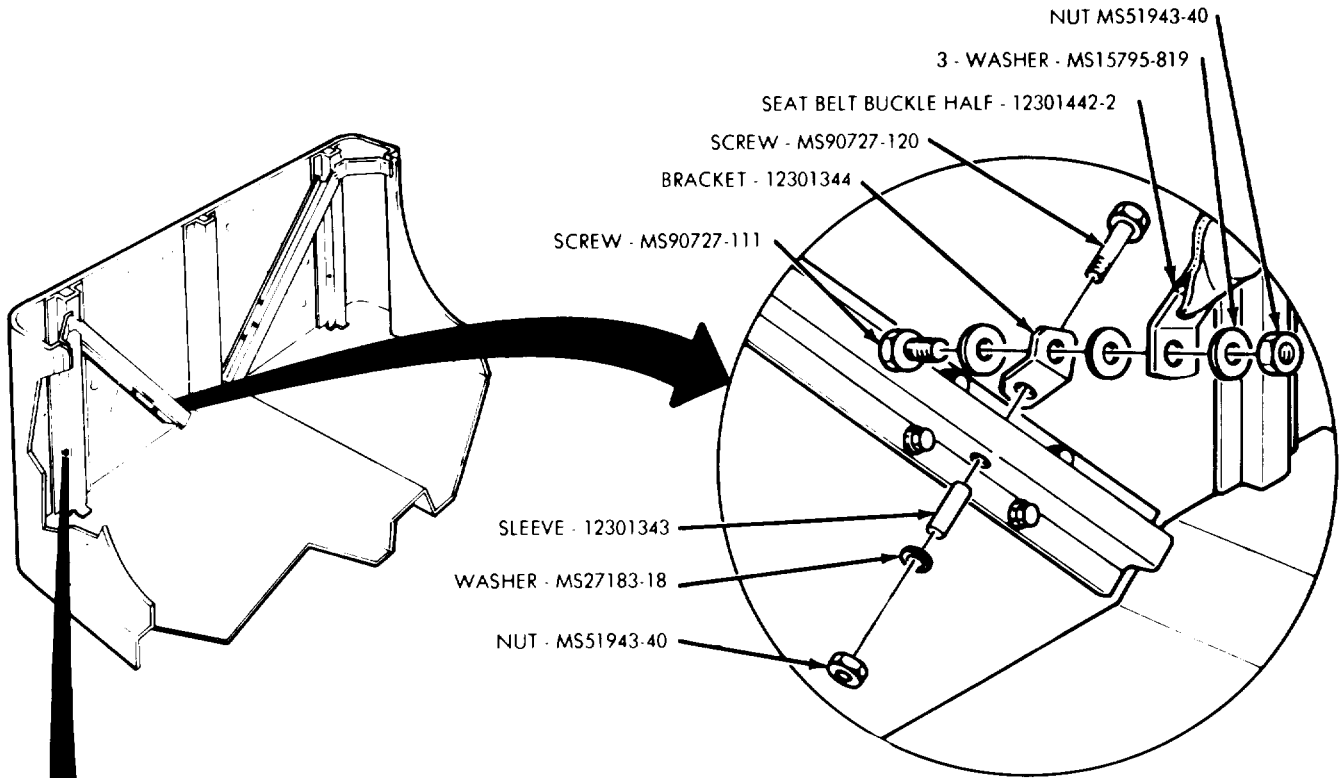


Figure B-10. Companion Seat Belt Buckle Half Installation

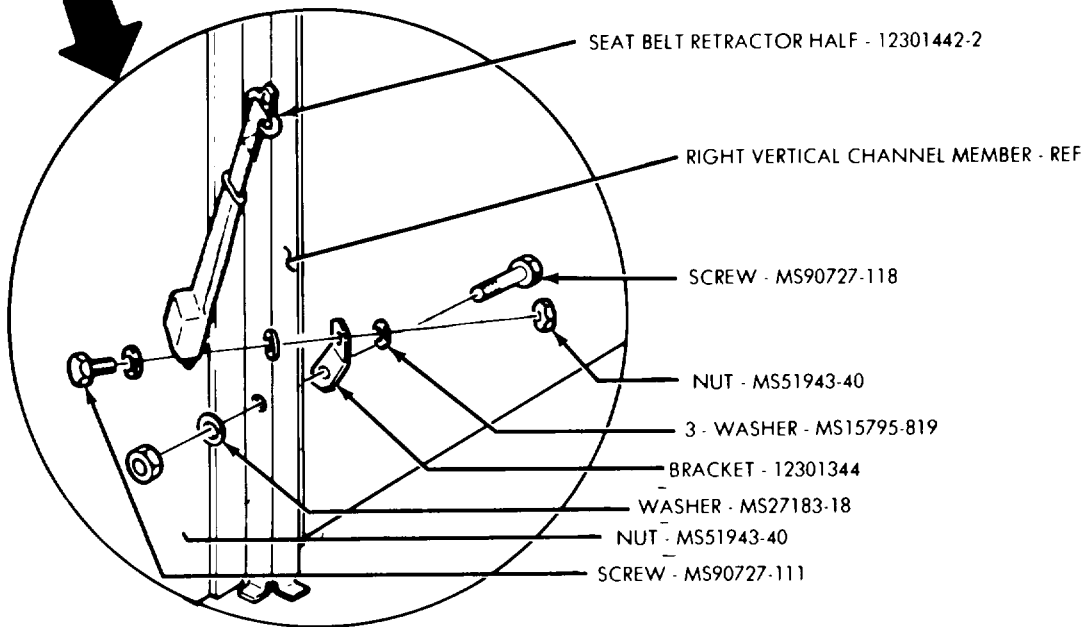


Figure B-11. Companion Seat Belt Retractor Installation

By Order of the Secretary of the Army

CARL E. VUONO
General, United States Army
Chief of Staff

Official:

WILLIAM J. MEEHAN II
Brigadier General, United States Army
The Adjutant General

Distribution: To be distributed IAW DA Form 12-38-R, Technical Manual Requirements for Truck, Cargo, 5-Ton, 6x6, Multifuel, M39 Series; Technical Manual Requirements for Truck, Diesel, 5-Ton, 6x6, M809 Series; Technical Manual Requirements for Truck, Multifuel, 2 1/2 Ton, 6x6, M44A1 and M44A2 Series.

*U.S. GOVERNMENT PRINTING OFFICE: 1989 643-025/80083

FILL IN YOUR
UNIT'S ADDRESS



FOLD BACK

DEPARTMENT OF THE ARMY

OFFICIAL BUSINESS
PENALTY FOR PRIVATE USE \$300

POSTAGE AND FEES PAID
DEPARTMENT OF THE ARMY
DOD 314



TEAR ALONG PERFORATED LINE

COMMANDER
U.S. ARMY TANK-AUTOMOTIVE COMMAND
ATTN: AMSTA-MB
WARREN, MI 48397-5000

FILL IN YOUR
UNIT'S ADDRESS



FOLD BACK

DEPARTMENT OF THE ARMY

POSTAGE AND FEES PAID
DEPARTMENT OF THE ARMY
DOD 314



TEAR ALONG PERFORATED LINE

OFFICIAL BUSINESS
PENALTY FOR PRIVATE USE \$300

COMMANDER
U.S. ARMY TANK-AUTOMOTIVE COMMAND
ATTN: AMSTA-MB
WARREN, MI 48397-5000

FILL IN YOUR
UNIT'S ADDRESS



FOLD BACK

DEPARTMENT OF THE ARMY

POSTAGE AND FEES PAID
DEPARTMENT OF THE ARMY
DOD 314



TEAR ALONG PERFORATED LINE

OFFICIAL BUSINESS
PENALTY FOR PRIVATE USE \$300

COMMANDER
U.S. ARMY TANK-AUTOMOTIVE COMMAND
ATTN: AMSTA-MB
WARREN, MI 48397-5000

